

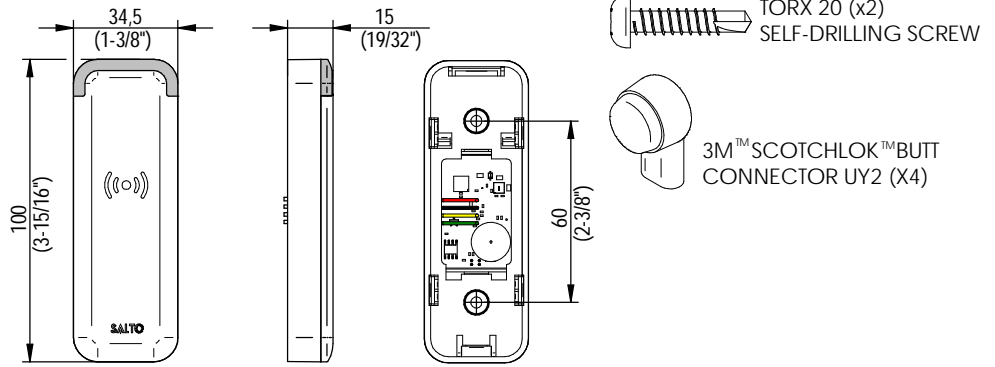
Installation guide

Mullion reader

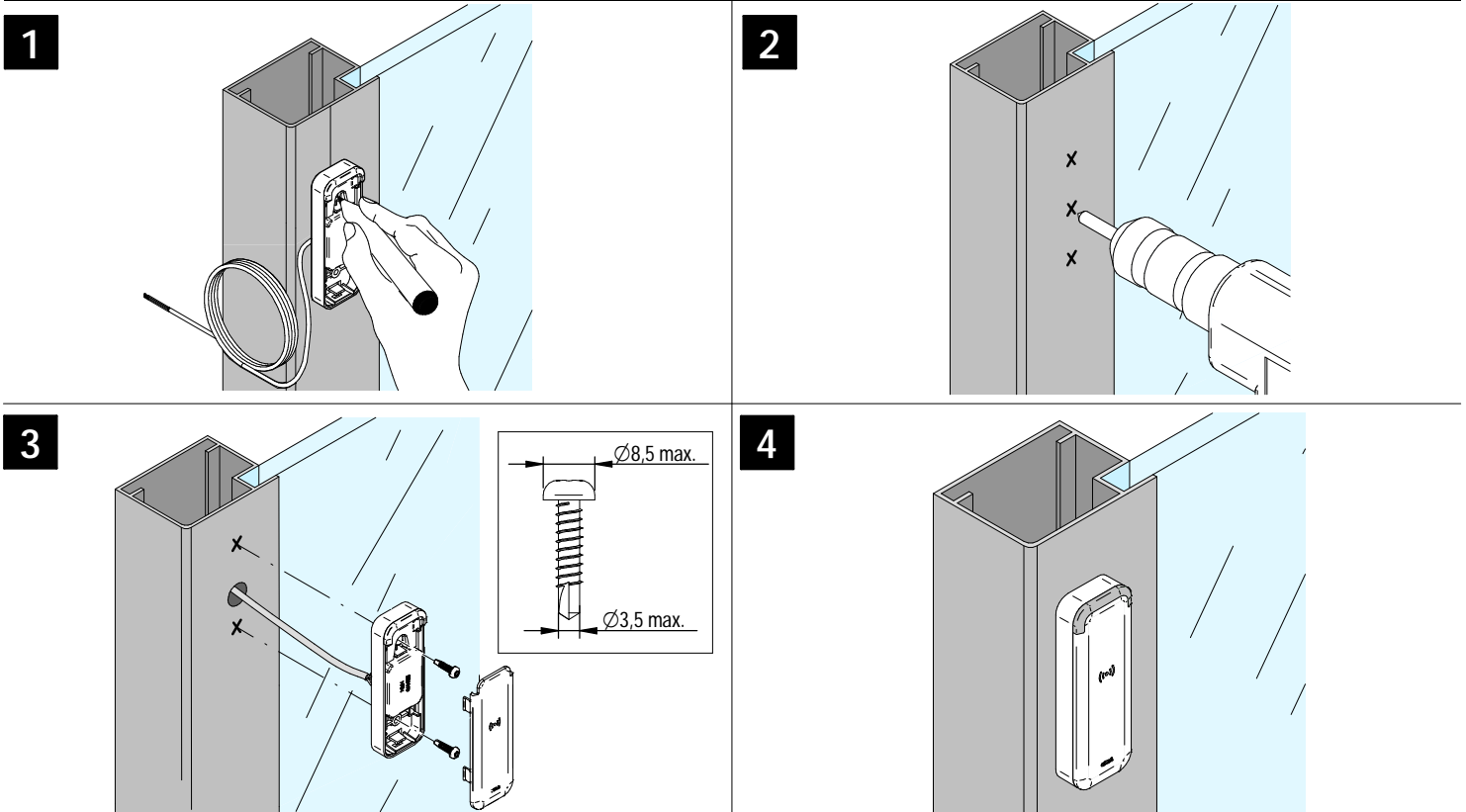
SALTO
inspiredaccess

- Eng Installation guide
D Installationsanleitung
E Guía de instalación
F Guide d'installation

The SALTO slim wall reader for flush mounting has been specially designed to fit lifts, sliding doors or electric gate doors that have a narrow profile frame, and where there is insufficient space to install a standard wall reader. It works in conjunction with SALTO controllers.



Eng Installation D Installation E Instalación F Installation



Eng Electrical characteristics D Elektronische Eigenschaften
E Características eléctricas F Caractéristique électronique

Eng Electrical characteristics:

Operation conditions	Min.	Max.	Unit
Temperature WRDM0B	-30	70	°C
Temperature WRDM0J	-25	70	°C
Humidity	35	85	%

RF characteristics	Min	Cent.	Max.	Unit
RFID frequency	13.56			Mhz
Bluetooth Smart frequency	2.4	2.445	2.4835	Ghz

Cable type and max. distances

Cable type	Reader
UTP Cat5e 2 pairs AWG24	213ft 65m
UTP Cat5e 4 pairs AWG24 + SP224861/SP224895	656ft 200m
Pares trenzados AWG18	984ft 300m

Note: UL tested at 100m at AWG 24.

Power Consumption Note1

	Min	Max	Unit
Reader	195		mA

Note 1: Installer must take this data into account to dimension the CU42xx power supply. Mullion Reader only for use with the SALTO Control Units.

Note 2: Not use with Scotchlock butt connector UY2. SALTO recommends to use one cable per wall reader.

Installation guide

Mullion reader

D Elektronische Eigenschaften:

Umgebungsbedingungen

	Min.	Max.	Einheit
Temperatur WRDM0B	-30	70	°C
Temperatur WRDM0J	-25	70	°C
Feuchtigkeit	35	85	%

RF Frequenzen

	Min	Gen.	Max.	Einheit
RFID frequenz		13.56		Mhz
Bluetooth Smart frequenz	2.4	2.445	2.4835	Ghz

Verkabelung und max. entfernungen

Kabeltyp	Leser
UTP Cat5e 2 pairs AWG24	213ft 65m
UTP Cat5e 4 pairs AWG24 + SP224861/SP224895 <small>Nota2</small>	656ft 200m
Pares trenzados AWG18	984ft 300m

Stromaufnahme Note1

	Min	Max	Einheit
Reader		195	mA

Note1: Bitte beachten Sie die Stromaufnahme bei der Planung des Netzteils für die CU42xx.

Note2: Nicht verwenden mit den Scotchlok Einzeladerverbinder UY2.

Einzeladerverbinder UY2.

SALTO empfiehlt die Verwendung einer separaten Leitung je Wandleser.

E Características eléctricas:

Condiciones ambientales

	Min.	Max.	Unidad
Temperatura WRDM0B	-30	70	°C
Temperatura WRDM0J	-25	70	°C
Humedad	35	85	%

RF characteristics

	Min	Gen.	Max.	Unidad
Frecuencia RFID		13.56		Mhz
Frecuencia Bluetooth Smart	2.4	2.445	2.4835	Ghz

Tipo de cable y distancias max.

Cable type	Lector
UTP Cat5e 2 pairs AWG24	213ft 65m
UTP Cat5e 4 pairs AWG24 + SP224861/SP224895 <small>Nota2</small>	656ft 200m
Pares trenzados AWG18	984ft 300m

Consumo Nota1

	Min	Max	Unidad
Lector		195	mA

Note1: El instalador ha de tener en cuenta la dimensión del alimentador de la CU42xx.

Note2: No usar el conector Scotchlook butt UY2 con este tipo de cable.

SALTO recomienda utilizar un cable por cada lector mural.

F Caractéristique électronique:

Condition de fonctionnement

	Min.	Max.	Unit
Température WRDM0B	-30	70	°C
Température WRDM0J	-25	70	°C
Humidité	35	85	%

RF characteristics

	Min	Gen.	Max.	Unit
Fréquence RFID		13.56		Mhz
Fréquence Bluetooth Smart	2.4	2.445	2.4835	Ghz

Type de câble

Type de câble	Lecteur
UTP Cat5e 2 pairs AWG24	213ft 65m
UTP Cat5e 4 pairs AWG24 + SP224861/SP224895 <small>Nota2</small>	656ft 200m
Pares trenzados AWG18	984ft 300m

Consommation Note1

	Min	Max	Unité
Reader		195	mA

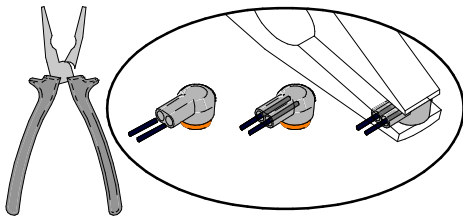
Note1: L'installateur doit calculer l'alimentation nécessaire pour alimenter la CU42xx.

Note2: Ne pas utiliser le connecteur Scotchlook UY2 avec ce type de câble.

SALTO recommande d'utiliser un câble pour chaque lecteur mural.

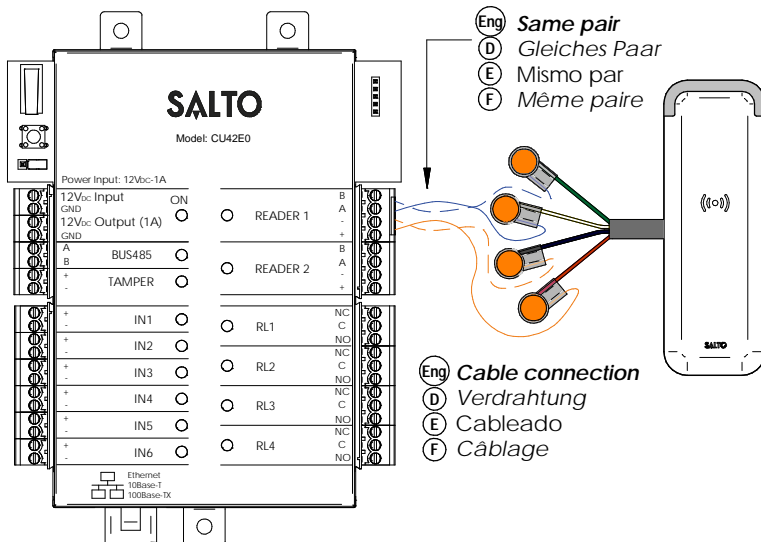
Eng Installation example D Installationsbeispiel E Ejemplo de instalación F Exemple d'installation

- Eng Only connect to CU42xx
- D Nur für Steuereinheit CU42xx
- E Solo conectar a CU42xx
- F Connecter uniquement CU42xx



- Eng 3M™ Scotchlok™ butt connector UY2. Crimp with cap side down.
- D 3M™ Scotchlok™ butt Einzeladerverbinder UY2. Mit der Kappe nach unten zusammendrücken.
- E Conector 3M™ Scotchlok™ butt UY2.
- F Crimpar con la tapa hacia abajo. Connecteur 3M™ Scotchlok™ butt UY2. Crêper avec le capuchon vers le bas.

	Eng	D	E	F
B	Green	Grün	Verde	Vert
A	White	Weiß	Blanco	Blanc
↓	Black	Schwarz	Negro	Noir
+V	Red	Rot	Rojo	Rouge

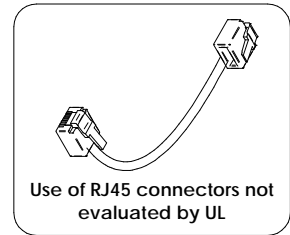
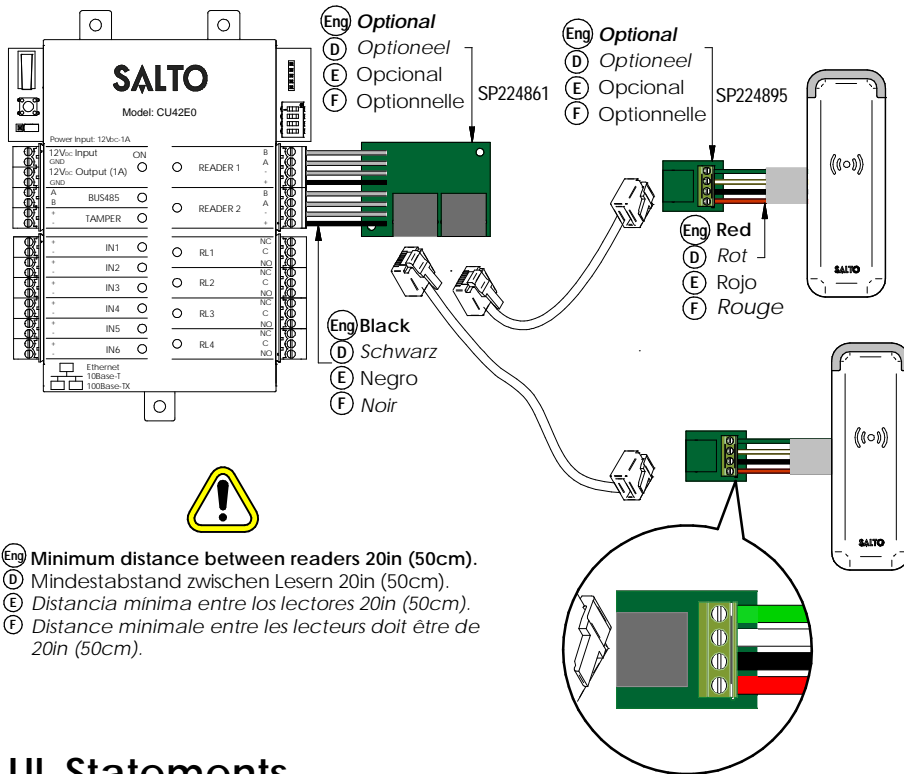


- Eng Cable connection
- D Verdrahtung
- E Cableado
- F Câblage

Installation guide

Mullion reader

Eng Installation example with RJ45 D Installationsbeispiel für RJ45 E Ejemplo de instalación RJ45 F Exemple d'installation avec RJ45



UL Statements

Tested by UL with Mifare (DESFIRE, ULTRALIGHT C) and HID iCLASS RFID communication, and with Mobile APP (JustIN Mobile version 2.x) through Bluetooth version 4.2. Minimum Operating System version for Android: 4.3 or later and for iOS: 10.0 or later. A means of verification shall be employed by the user to enable access to the wireless electronic device such as a PIN or biometric feature. The wireless electronic device is not capable of command, control, programming, or any other system manipulation and it is only to be used in the same manner as a physical credential

Wiring methods that shall be in accordance with the National Electrical Code, ANSI/NFPA 70 or CSA C22.1-02 - Canadian Electrical Code, Part 1, Safety Standard for Electrical Installations

- UL294 performance level:

FEATURE	LEVEL
Destructive attack	I
Line Security	I
Endurance	IV
Standby power	I

- Comply with ULC-S319 Class I *

This device complies with Industry Canada license-exempt RSS standard(s). Operation is subject to the following two conditions: (1) this device may not cause harmful interference, and (2) this device must accept any interference received, including interference that may cause undesired operation. Changes or modifications not expressly approved by the party responsible for compliance could void the user's authority to operate the equipment.

Le présent appareil est conforme aux CNR d'Industrie Canada applicables aux appareils radio exempts de licence. L'exploitation est autorisée aux deux conditions suivantes: (1) l'appareil ne doit pas produire de brouillage, et (2) l'utilisateur de l'appareil doit accepter tout brouillage radioélectrique subi, même si le brouillage est susceptible d'en compromettre le fonctionnement.

This device has been tested and found to comply with the limits for a Class B digital device, pursuant to ICES-003.

*Note: shielded wire shall be used.

** Note: WRDxMxxY model, not UL listed.

EN 50131-3:2009 & EN 60839-11-1:2013 Statements

Certification issued by ALTER TECHNOLOGY TÜV NORD S.A.U. for the models: WRDB0M4W, WRDB0M4B, WRDJ0M4W, WRDJ0M4B. Stationary ACE, Type A (potted reader).

Performance level:

- Security Grade 2 (EN 50131-3:2009), Class IV
- Grade 2 (EN60839-11-1:2013), Class IV
- IP66 & IK04

European view

All contents current at time of publication.
SALTO Systems S.L. reserves the right to change availability of any item in this catalog, its design, construction, and/or materials.