

DATASHEET

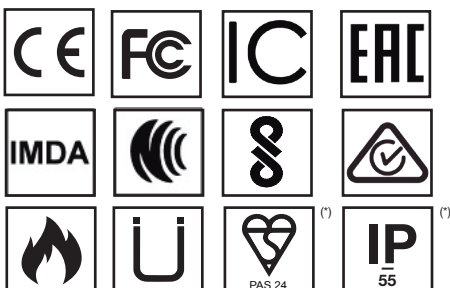
XS4 One by SALTO

The SALTO XS4 One escutcheon is a revolutionary stand-alone electronic lock thanks largely to the level of technology packed inside that brings together the convenience of an offline point -- easy installation and no wires – with all the power and performance of an online point.

www.saltosystems.com

TECHNICAL SPECIFICATIONS: XS4 ONE Ex7xx

SALTO
inspired access



(*) Optional

Publications of SALTO SYSTEMS S.L. are protected by copyright and all rights are reserved.
SALTO SYSTEMS publications may not be reproduced in any form or by any means without written permission from the copyright owner.

TECHNICAL DATA:

Housing dimensions (H x W x D):	285,0 x 42,0 x 19,5 mm
Weight:	1,5 kg
Handle rotation:	Max. 45°
Door thicknesses:	32 mm - 120 mm
Distance from the handle to the cylinder	47 mm - 110 mm
Square spindles:	7 mm, 7,6 mm split, 8 mm, 8 mm split, 9 mm, 9 mm split
Power source:	3 AAA batteries (LR03 1,5V)
Number of openings	40.000 - 60.000 depending on the technology
Maximum events on lock audit	2 250 (SVN standalone mode) 1 850 (SVN BLUEnet mode) 1 450 (SALTO KS mode)
Environmental conditions Outdoor	+5 °C / +50 °C without condensation, optional -20 °C / +50 °C
Environmental conditions Indoor	+5 °C / +50 °C. without condensation.
IP class:	IP53 (optional IP55 for external escutcheon)
Certifications:	CE, FCC/IC, RCM, EAC, IMDA EN1906 EN 179, EN 1634-1 (Ei60, E260, E90) PAS24 (optional)

ID TECHNOLOGIES:

MIFARE*:	•
Bluetooth LE:	•
NFC:	•
Legic**:	—
HID iClass® Seos™:	•
Picopass:	—

* MIFARE® (DESFire EV2, Classic, Plus, Ultralight C).

** Legic Prime and Legic Advant

TECHNOLOGY PLATFORMS:**SALTO SPACE:**

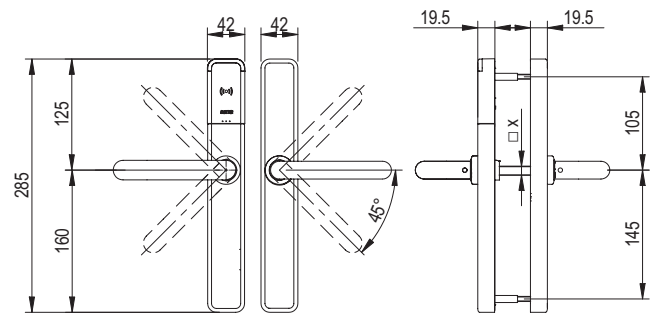
Smile - Selfprogrammable	—
ROM	•
SVN data-on-card	•
Wireless (SALTO RFnet)	—
Wireless (SALTO BLUEnet)	•

SALTO KS:

SALTO KS:	•
-----------	---

SALTO SALLIS:

SALLIS:	—
---------	---

TECHNICAL DRAWING:**OPENING MODES:**

Standard:	•
Office mode:	•
Timed office:	•
Automatic opening:	•
Automatic opening + office	•
Toggle:	•
Timed Toggle:	•
Amok mode:	—
Exit leaves open mode:	•
Pin code / Keypad:	—

OPTIONS:**Reader colour:**

Black:	•
White:	•

Faceplate finish:

IM Satin stainless steel:	•
IP Bright stainless steel:	•
PP PVD bright brass type:	•
PM PVD satin brass type:	•
NE Black chromium:	•
BC BioCote anti-microbial:	•
DB Dark Bronze:	•

Handles

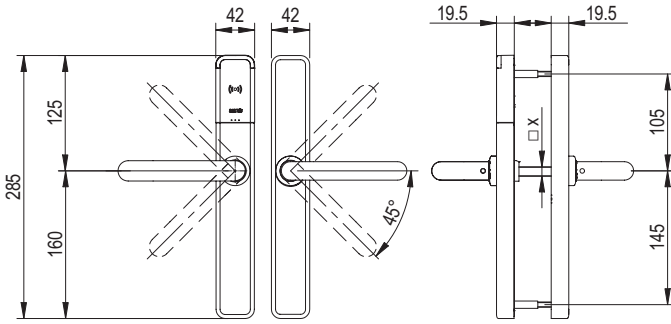
Compatible handles*	U, L, W, H, S, B, P, J, T, Y, Z, O, N, G, K, 2, 3, 4, 7, 5
---------------------	---

* Not all the handles are available in all finishes.

MODELS:

Ex750:

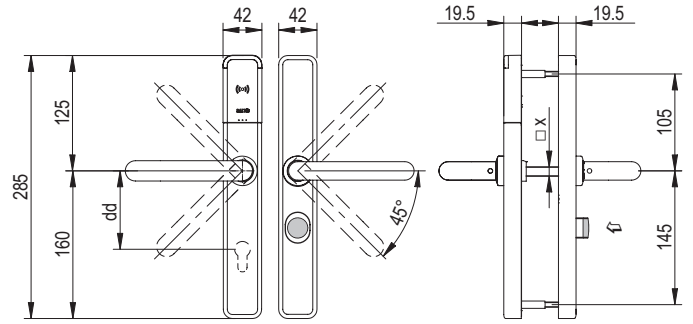
2 handles any type.



Ex757:

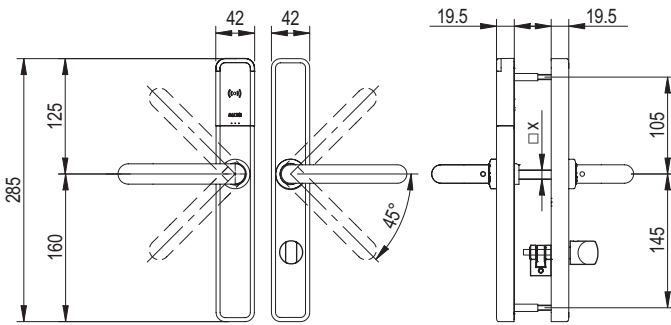
2 handles any type.

- Outside cylinder cut out.
- Electronic “do not disturb” system (Not available in self-programmable).



Ex751:

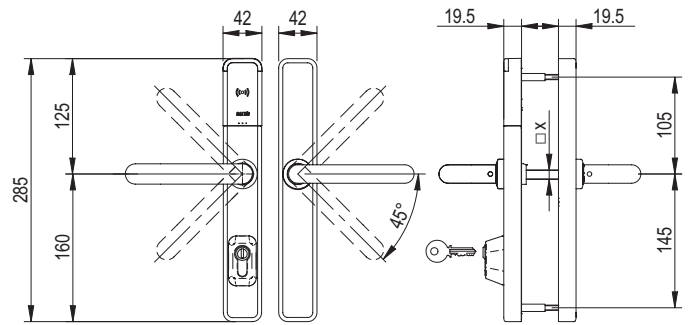
2 handles any type.
Inside thumbturn.



Ex7P0:

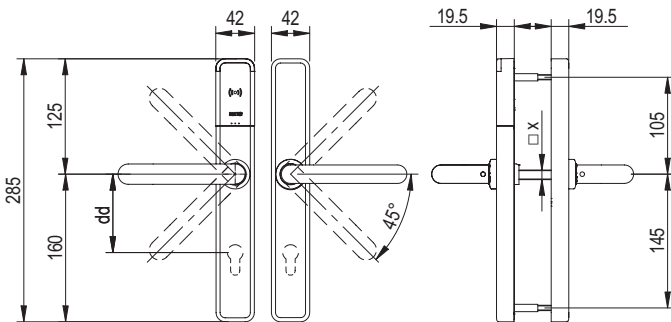
2 handles any type.

- Built in mechanical override with audit.
(Ex4P0 reference: Euro profile cylinder 30-10).



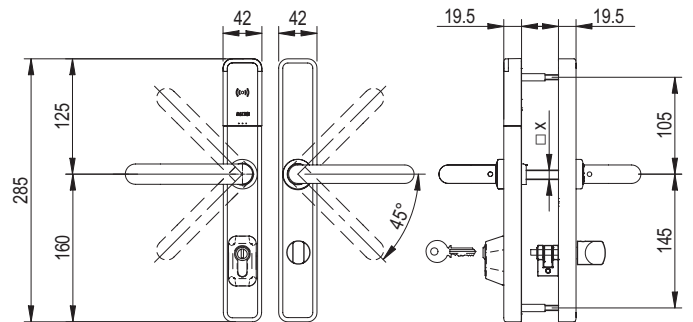
Ex752 / Ex753 / Ex754

2 handles any type.
Inside (models 52 / 53) / (models 54) Outside cylinder cut out.



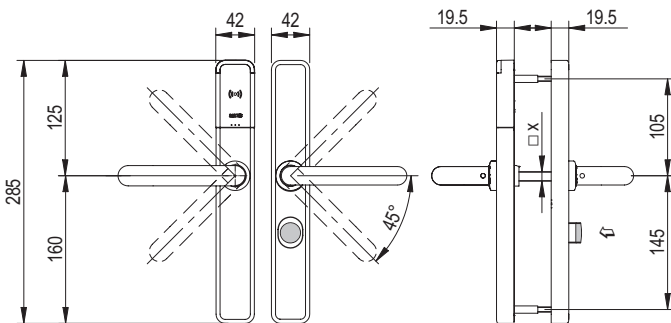
Ex7P1:

- 2 handles any type.
- Inside thumbturn.
- Built in mechanical override with audit.
(Ex4P1 reference: Euro profile cylinder 30-10).



Ex756:

2 handles any type.
Electronic “do not disturb” system (Not available in selfprogrammable).



Ex7P6:

- 2 handles any type.
- Electronic “do not disturb” system
- Built in mechanical override with audit.
(Ex4P6 reference: Euro profile cylinder 30-10).

