

DATASHEET

XS4 ORIGINAL+ by SALTO

The XS4 Original+ product is a universal state of the art electronic escutcheon that brings the smart lock to a new technology level, combining the latest innovations in security, connectivity and design into a battery operated access control device.

www.saltosystems.com

TECHNICAL SPECIFICATIONS:

XS4 ORIGINAL+ EM6xx

SALTO
inspired access



TECHNICAL DATA:

Reader dimensions (H x W x D):	290,0 x 67,0 x 20,0 mm
Weight	2,5 kg
Handle rotation:	52°
Door thicknesses:	32 mm - 120 mm
Distance from the handle to the cylinder	47 - 110 mm
Square spindles:	7mm, 7.6mm split, 8mm, 8mm split, 9mm, 9mm split.
Power source:	3 LR6 batteries (AA size) (optional lithium FR06 batteries)
Number of openings:	40,000 - 60,000 (to be confirmed)
Maximum events on lock audit	2 000 (SVN standalone mode) 1 625 (SVN BLUEnet mode) 1 280 (SALTO KS mode)
Environmental conditions Outdoor:	-35 °C / +60 °C without condensation
Environmental conditions Indoor:	-5 °C / +50 °C without condensation (optional -35°C / +60°C)
IP class:	IP53 (optional E5 - IP pending)
Certifications:	CE, FCC/IC, RCM, EN 179, EN 1634-1 (Ei30, Ei60), PAS24 (optional)

CREDENTIAL TECHNOLOGIES:

SALTO JustIN Mobile Credentials ¹ :	•
NXP MIFARE ^{®2} :	•
HID ^{®3} :	—
LEGIC ^{®4} :	—

¹ Mobile Key Bluetooth and Near Field Communication (NFC) capability.

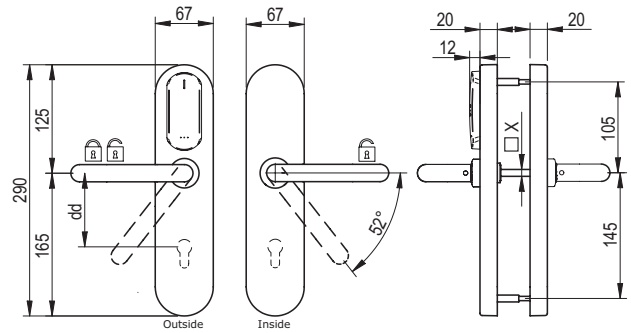
² MIFARE[®] DESFire[®] EV1/EV2/ EV3, MIFARE[®] Plus, MIFARE[®] Ultralight C, MIFARE[®] Classic.

³ iCLASS[®], Seos[®].

⁴ Legic Prime, Legic Advant.

CORE TECHNOLOGIES:

SALTO Native Bluetooth LE wireless connectivity:	•
Hardware Secure Element:	•

TECHNICAL DRAWING:**PLATFORMS:****SALTO Space:**

ROM	—
SVN data-on-card	•
Wireless (SALTO RFnet)	—
Wireless (SALTO BLUEnet)	•
SVN-Flex	•

SALTO KS:

Wireless (SALTO RFnet):	—
Wireless (SALTO BLUEnet):	•

OPTIONS:**Reader finish:**

Black:	•
White:	•

Finish:

IM Satin stainless steel:	•
IP Bright stainless steel:	•
PP PVD bright brass type:	•
PM PVD satin brass type:	•
NE Black chromium:	•
DB Dark Bronze:	•
BC BioCote anti-microbial:	•

Handles

Compatible handles*	U, L, W, H, S, B, P, J, T, Y, Z, O, N, G, K, 2, 3, 4, 7, 5
High Transit:	• (optional)

* Not all the handles are available in all finishes.

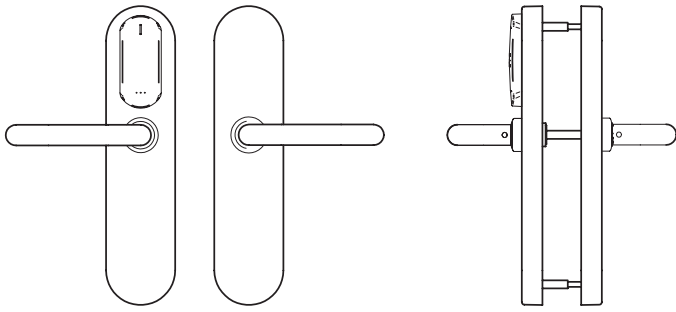
Locks:

Euro-DIN:	•
ANSI:	—
Scandinavian:	—
Cylindrical:	• (Only SALTO LC1K)
Tubular:	• (Only SALTO LT2L)

MODELS:

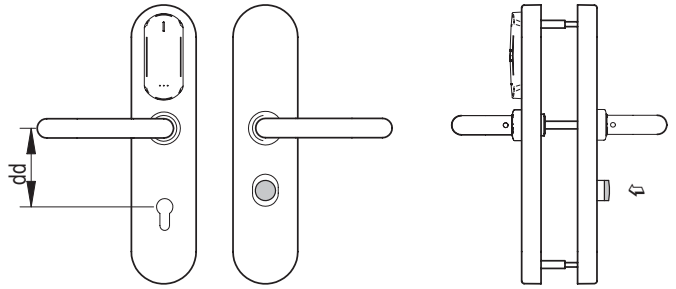
MODEL 50:

- 2 handles any type.



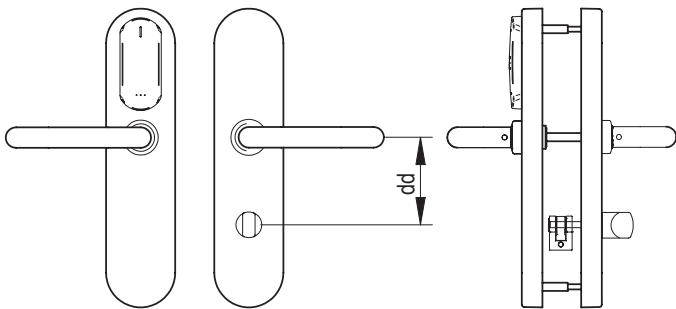
MODEL 57:

- 2 handles any type.
- Outside cylinder cut out.
- Electronic "do not disturb" system (Not available in self-programmable).



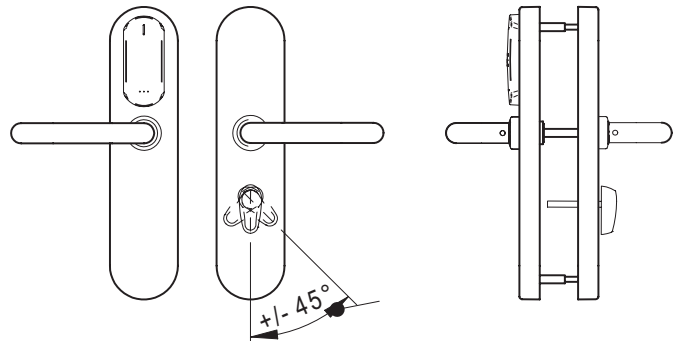
MODEL 51:

- 2 handles any type.
- Inside thumbturn.



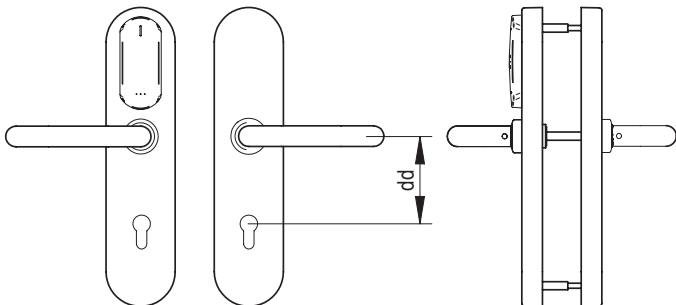
MODEL 58:

- 2 handles any type.
- Inside thumbturn 90° with connector for mortise lock with microswitch.



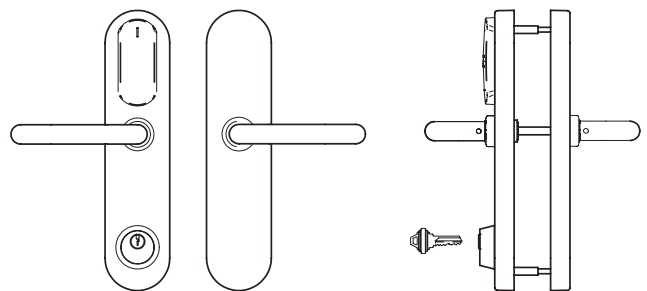
MODEL 52/53/54:

- 2 handles any type.
- Inside (models 52 / 53) / (models 54) Outside cylinder cut out.



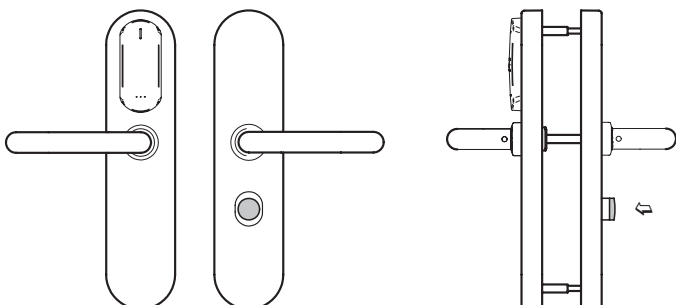
MODEL 60:

- 2 handles any type.
- Built in mechanical override with audit. (Ex660 reference: Euro profile cylinder 30-10).



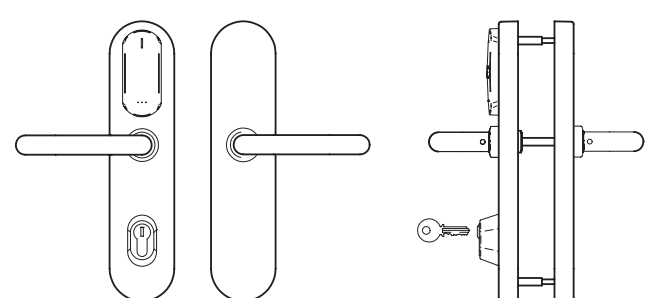
MODEL 56:

- 2 handles any type.
- Electronic "do not disturb" system (Not available in selfprogrammable).



MODEL P0:

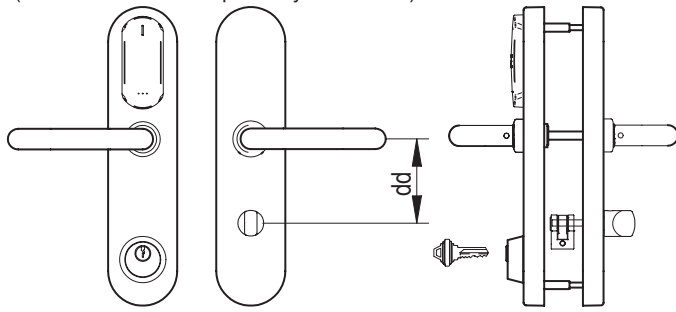
- 2 handles any type.
- Built in mechanical override with audit. (Ex6P0 reference: Euro profile cylinder 30-10).



MODELS:

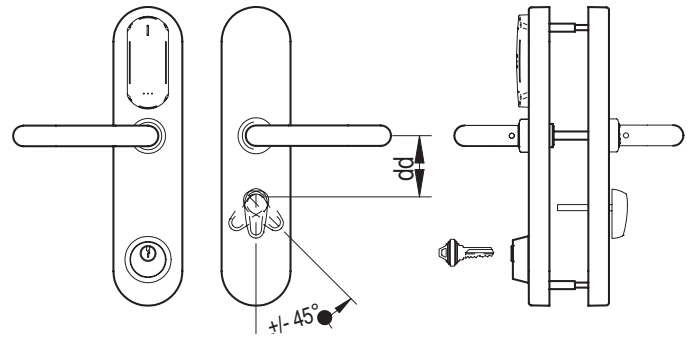
MODEL 61:

- 2 handles any type.
 - Inside thumbturn
 - Built in mechanical override with audit.
- (Ex661 reference: Euro profile cylinder 30-10).



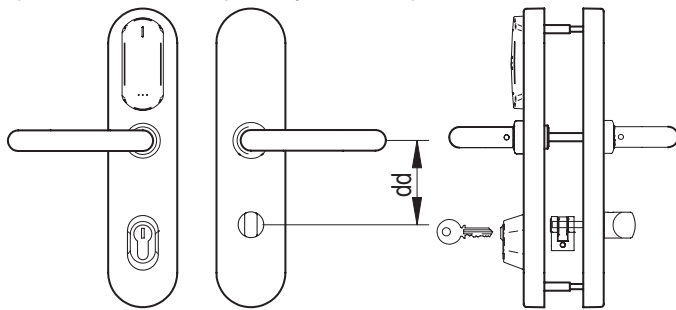
MODEL 68:

- 2 handles any type.
- Inside thumbturn 90° with connector for mortise lock with microswitch.



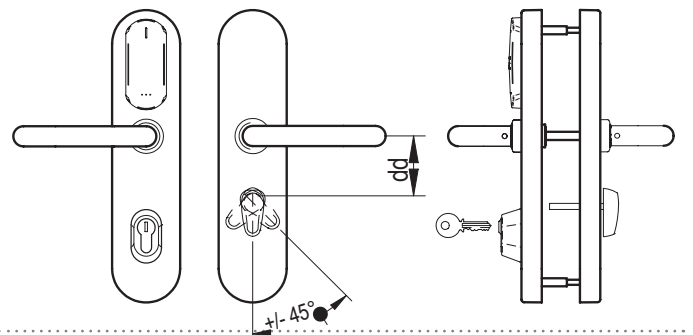
MODEL P1:

- 2 handles any type.
 - Inside thumbturn
 - Built in mechanical override with audit.
- (Ex6P1 reference: Euro profile cylinder 30-10).



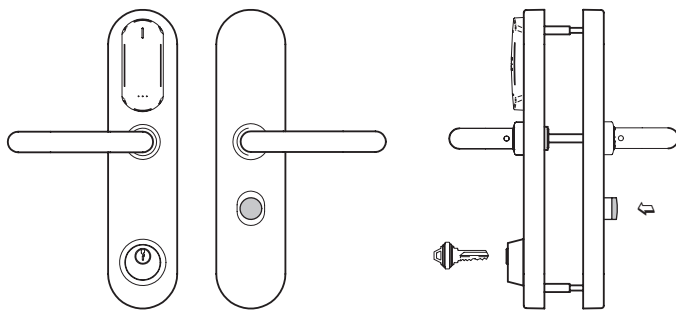
MODEL P8:

- 2 handles any type.
- Inside thumbturn 90° with connector for mortise lock with microswitch.



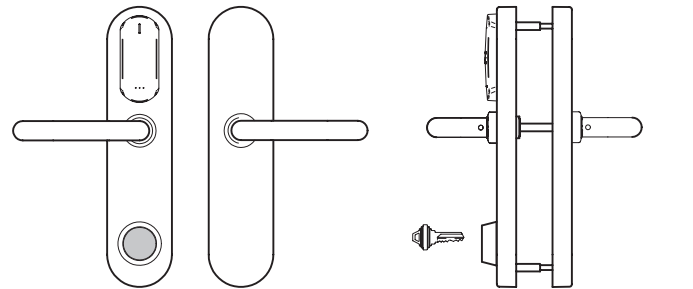
MODEL 66:

- 2 handles any type.
 - Electronic "do not disturb" system
 - Built in mechanical override with audit.
- (Ex666 reference: Euro profile cylinder 30-10).



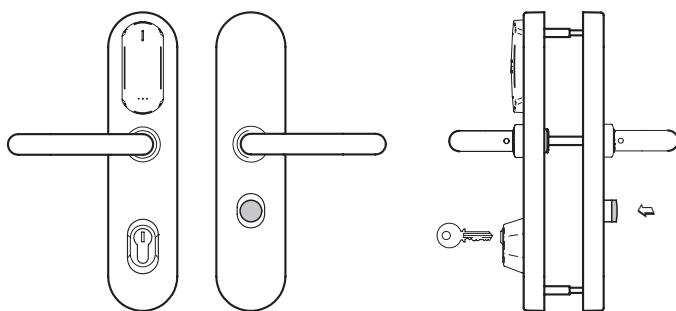
MODEL 70:

- 2 handles any type.
 - Built in mechanical override and cover with audit.
- (Ex670 reference: Euro profile cylinder 30-10).



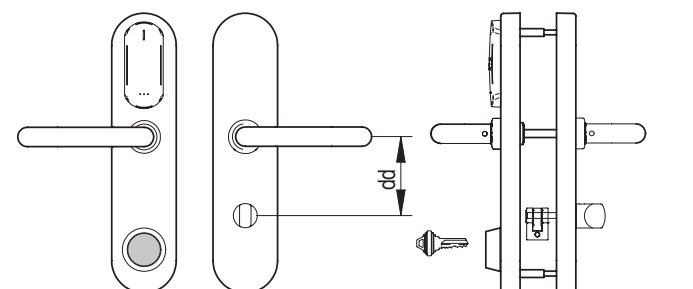
MODEL P6:

- 2 handles any type.
 - Electronic "do not disturb" system
 - Built in mechanical override with audit.
- (Ex6P6 reference: Euro profile cylinder 30-10).



MODEL 71:

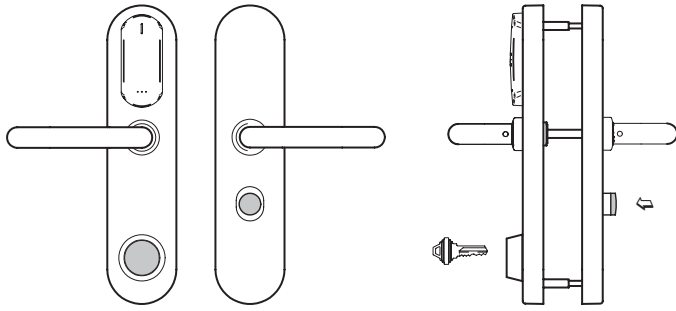
- 2 handles any type.
 - Inside thumbturn.
 - Built in mechanical override and cover with audit.
- (Ex671 reference: Euro profile cylinder 30-10).



MODELS:

MODEL 76:

- 2 handles any type.
- Electronic “do not disturb” system
- Built in mechanical override and cover with audit.
(Ex676 reference: Euro profile cylinder 30-10).



MODEL 78:

- 2 handles any type.
- Inside thumbturn 90° with connector for mortise lock with microswitch.

